

PIT ULTIMA HYBRID ASSEMBLY TYPE A

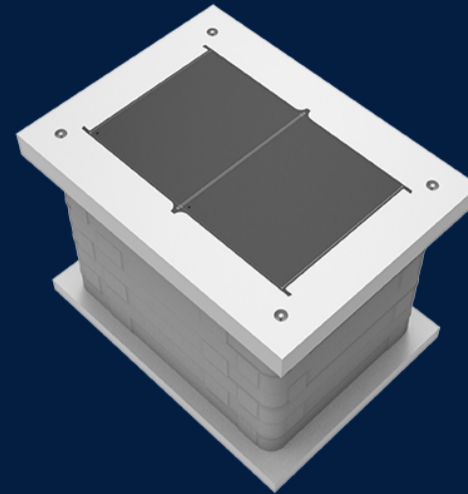
Product Code: 50203767



The ULTIMA Hybrid utilises the inherent benefits of the STAKKAbox™ ULTIMA Connect system, providing amplified Class D strength capabilities without compromising on ease of installation.

MATERIAL
Ductile Cast Iron, Glass-Reinforced Plastic (GRP), High Density Polyethylene (HDPE), Precast Concrete

SIZE
1750mm (L) x 1300mm (W) x 1310mm (D)



Features & benefits

Variability in Size

STAKKAbox™ ULTIMA Hybrid can be used to construct virtually any conceivable access pit clear opening. ULTIMA offers a huge range of pit dimensions thanks to the large number of standard sections and variability offered by the ULTIMA Connect system. With the enhanced strength capabilities provided by the ULTIMA beams, the Hybrid can withstand the most demanding of environments.

Flexibility in Construction

ULTIMA Hybrid pit systems offer a wide variety of wall section lengths, enabling customisation of pit width, length and depth to suit installation requirements. Duct entries can be quickly and safely formed on site with standard hand or power tools.

Sectional & Twin Wall Design

ULTIMA Hybrid pits are built to required depth by adding 150mm sections. Due to the twin wall design, individual sections are lightweight, meaning they can be easily lifted manually on site. Each access pit possesses vertical and horizontal ribs, resulting in a product that is strong vertically and on the sidewall.



Full specifications

Material	Glass-reinforced plastic (GRP), is a composite material, fibre-reinforced polymer made of a plastic reinforced by fine fibres made of glass. GRP has a high strength to weight ratio, high temperature range, high mechanical properties and is fire retardant. Additionally, GRP is also chemically inert and isn't susceptible to creep.
Load Rating	STAKKAbox™ ULTIMA Hybrid is suitable for installation in environments rated to Class D load rating (ultimate limit state design of 240kN) under the Australian Standard AS/NZ 3996.
How it works	The ULTIMA Hybrid utilises the ULTIMA Connect system with the added feature of ULTIMA beams specifically developed for large scale access pits of 2 metres in length and above.

Contact Us

Email: sales@cubis-systems.com.au

Phone: 1800 665 356