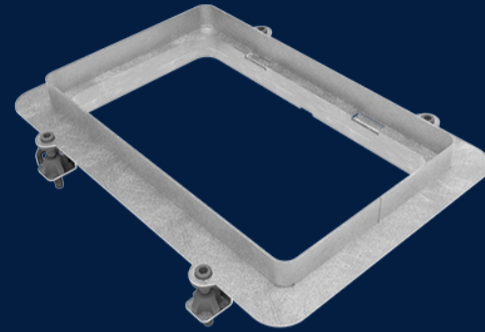


# HS5 FRAME AND SURROUND KIT

Product Code: 50201806



HS5 frame and surround kit are suited for the HS5 pit, HS5 being the smallest option from the high strength range. It was designed for ease of transportation, quick assembly and ground-level adjustability. The unique features allow the HS5 frame to be adjusted to suit the surrounding environment and simplify the installation process. (Not included concrete part)A



 MATERIAL  
Galvanised Mild Steel (GMS)

 SIZE  
760mm (L) x 530mm (W) x 106mm (D)

 LOAD RATING  
B

## Features & benefits

### Adjustable frame

The supporting composite cover frame can be adjusted up to 4 degrees to suit the ground level.

### Lightweight parts

Can be transported by a ute and assembled by a single person without the need of heavy lifting machinery.

### Quick assembly

Can be completed start to finish within less than hour.



## Full specifications

### How it works

HS5 supporting kit and frame can be adjusted up to 4 degrees to suit the ground level. HS pits are designed for brownfield application to simplify replacing pits with existing wires without compromising the strength of the pit.

Contact Us

Email: [sales@cubis-systems.com.au](mailto:sales@cubis-systems.com.au)

Phone: 1800 665 356